

ENCHLÖR

EXPLODED VIEW

100 PPD REMOTE METER Dwg. No. RM-401, EXP

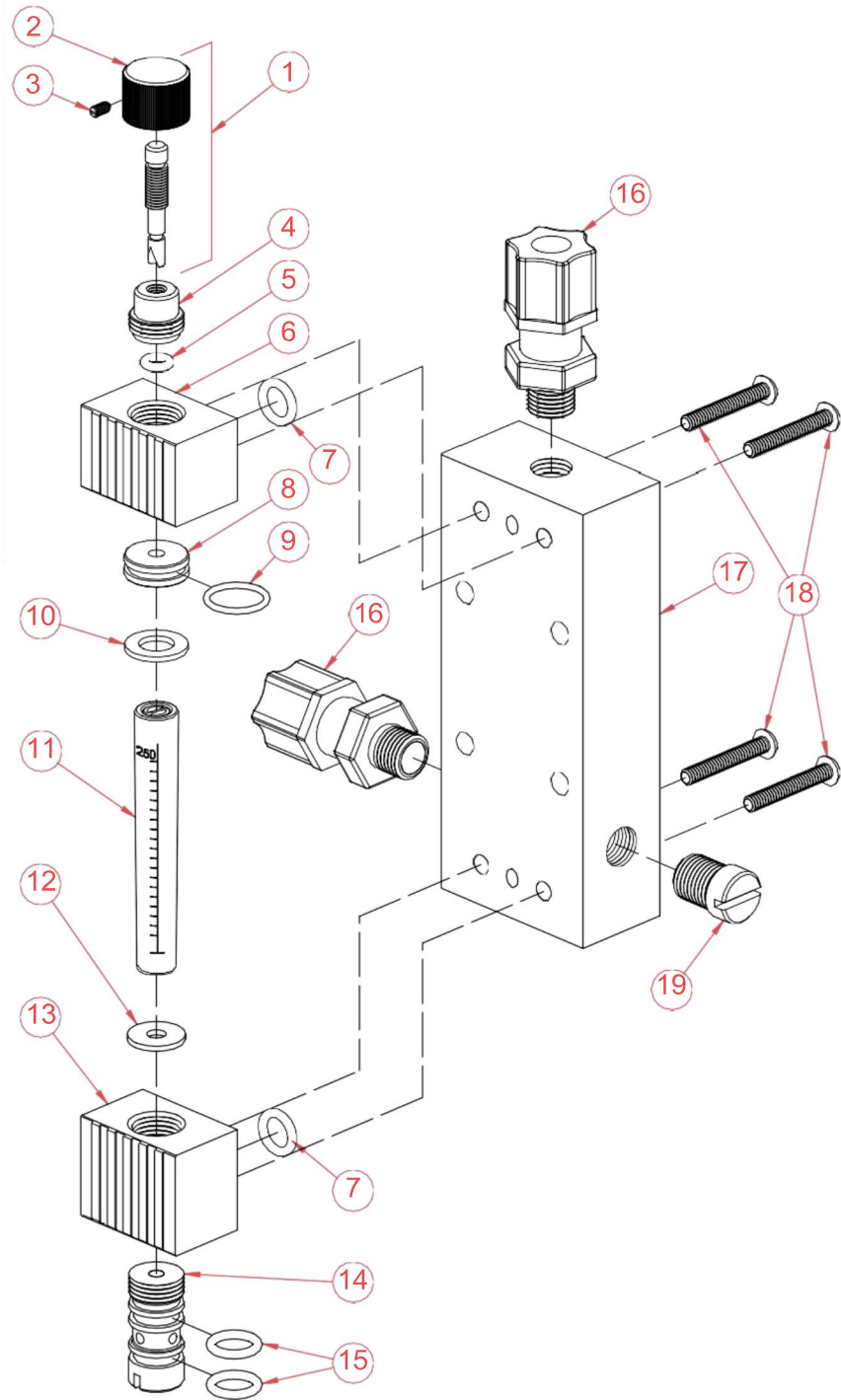
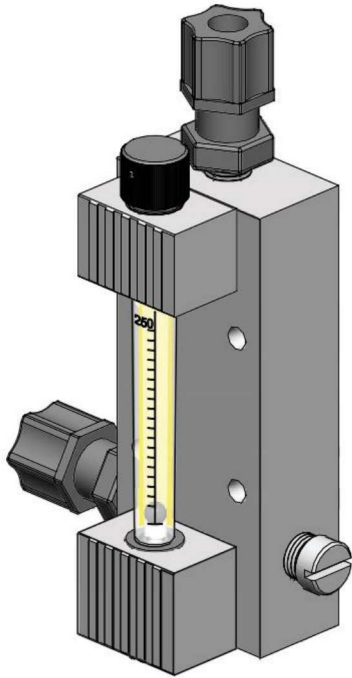
Item No.	Description	Quantity	Part No.
1A	Rate Valve Stem & Knob (10 PPD)	1	VP-103C-010
1B	Rate Valve Stem & Knob (100 PPD)	1	VP-103C-100
2	Rate Valve Knob	1	RV-100A
3	Rate Valve Knob Set Screw	1	#5-40 x 1/4"
4	Valve Bonnet	1	VB-100C
5	^{PM} O-Ring	1	OH-VIT-106
6	Top Meter Block	1	FM-100B
7	^{PM} O-Ring	2	OH-VIT-110
8	Rate Valve Seat	1	VT-104
9	^{PM} O-Ring	1	OH-VIT-012
10A	^{PM} Meter Gasket (1.5-10 PPD)	2	MG-001-010
10B	^{PM} Meter Gasket (25 PPD)	2	MG-001-025
10C	^{PM} Meter Gasket (50-120 PPD)	2	MG-001-100
11A	Meter Tube, 1.5 PPD	1	MTB-11-0015
11B	Meter Tube, 4 PPD (75 gr/hr)	1	MTB-11-004
11C	Meter Tube, 10 PPD (200 gr/hr)	1	MTB-11-010
11D	Meter Tube, 25 PPD (500 gr/hr)	1	MTB-11-025
11E	Meter Tube, 50 PPD (1000 gr/hr)	1	MTB-11-050
11F	Meter Tube, 100 PPD (2000 gr/hr)	1	MTB-11-100
11G	Meter Tube, 120 PPD (2500 gr/hr)	1	MTB-11-120
12	Bottom Meter Block	1	FM-103
13	Inlet Plug	1	FM-101A
14	^{PM} O-Ring	2	OH-VIT-112
15	^{PM} 1/4" NPT 3/8" Tube Tubing Connector	2	BKF-64
16	Back Body	1	RM-1-250
17	Remote Meter Block Screws (Monel)	4	#10-24 x 1 1/4"
18	1/4" NPT Plug (PVC)	1	PLH-108-250
^{PM}	Part & Maintenance Kit (100 PPD)	1	KT4-100-RMP



100 PPD REMOTE METER

BILL OF MATERIALS

Dwg. No. RM-401, BOM



ENCHLÖR

EXPLODED VIEW
250 PPD REMOTE METER Dwg. No. RM-200, EXP

Item No.	Description	Quantity	Part No.
1	Rate Valve Stem & Knob (250 PPD)	1	VP-203C
2	Rate Valve Knob	1	RV-100A
3	Rate Valve Knob Set Screw	1	#5-40 x 1/4"
4	Valve Bonnet	1	VB-100C
5	^{PM} O-Ring	1	OH-VIT-106
6	Top Meter Block	1	FM-200B
7	^{PM} O-Ring	2	OH-VIT-110
8	Rate Valve Seat	1	VT-204
9	^{PM} O-Ring	1	OH-VIT-016
10	^{PM} Top Meter Gasket	1	MG-200T
11	Meter Tube, 250 PPD (5 kg/hr)	1	MTB-11-250
12	^{PM} Bottom Meter Gasket	1	MG-001-100
13	Bottom Meter Block	1	FM-103
14	Inlet Plug	1	FM-101A
15	^{PM} O-Ring	2	OH-VIT-112
16	^{PM} 1/4" NPT 1/2" Tube Tubing Connector	2	BKF-84
17	Back Body	1	RM-2-250
18	Remote Meter Block Screws (Monel)	4	#10-24 x 1 1/4"
19	1/4" NPT Plug (PVC)	1	PLH-108-250
^{PM}	Part & Maintenance Kit (250 PPD)	1	KT2-250-RMP



BILL OF MATERIALS

250 PPD REMOTE METER Dwg. No. RM-200, BOM